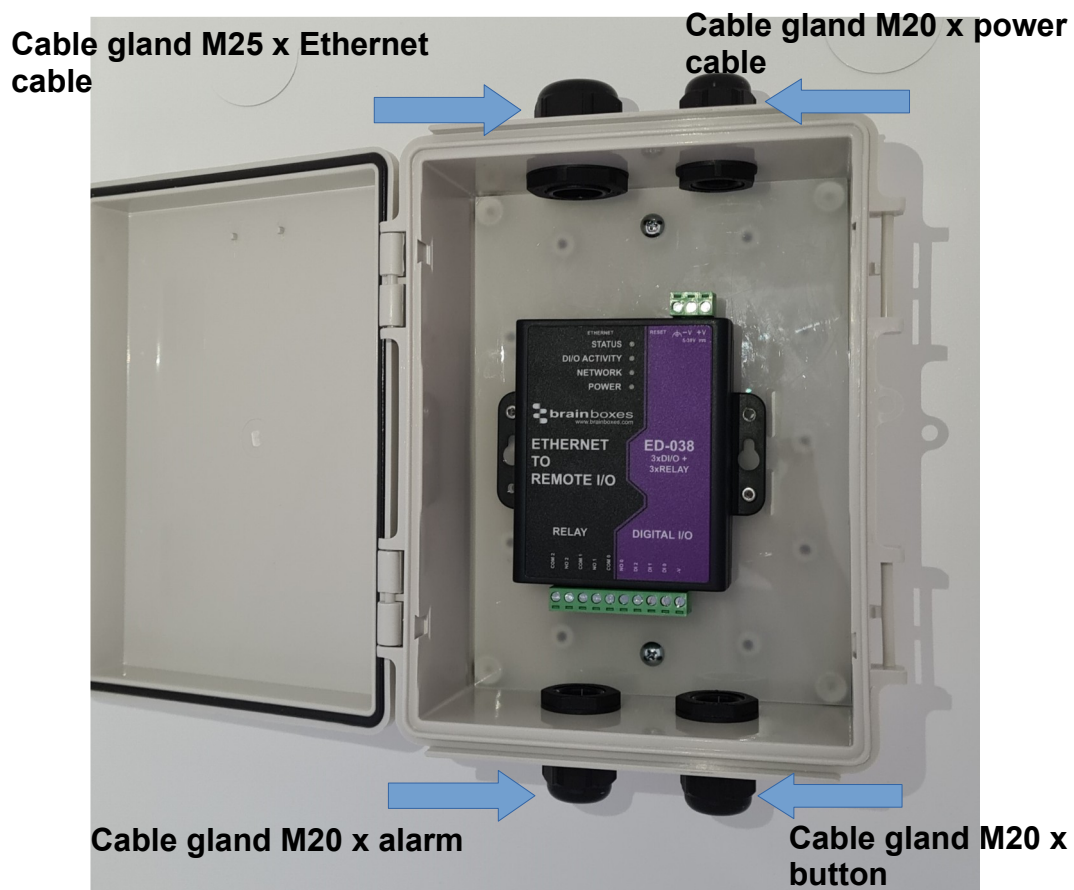


ALARM SYSTEM ASSEMBLY INSTRUCTIONS

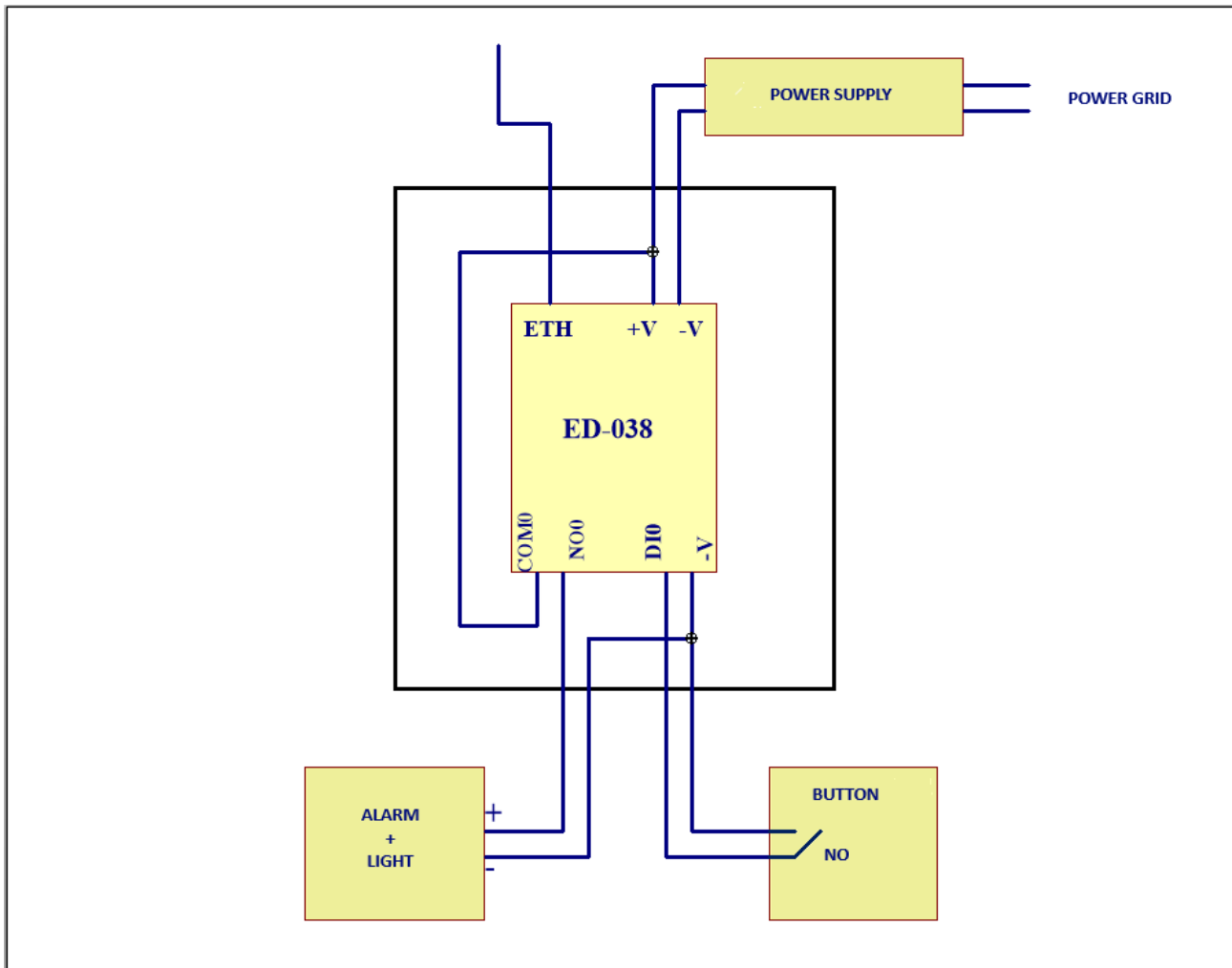
1. The kit supplied includes: ED-038 control unit, 24V power supply, alarm + Banshee Excel Lite light, button, power supply support with double-sided adhesive, box, internal plate for fixing the control unit, M20x1.5 cable gland and M25x1.5 cable gland.
2. The box (21x16x10 cm) will be supplied with: the control unit and the plate already fixed, an M25 cable gland for the Ethernet cable, 3 M20mm cable glands for the power supply, the alarm and the button. At the discretion of the electrician, it is also possible to enter directly with the pipe for electrical systems by removing the cable gland, but losing the waterproofness that the object offers.

The following image explains the function of each individual cable gland.

1. Fix the box according to how you want to arrange the system.



2. Once the position and orientation have been defined, glue the support for the power supply with double-sided adhesive to one of the two sides of the box without cable glands, clean the contact surface well and orient it appropriately for following wiring. In addition to the double-sided adhesive on the support there is also a hole for an M3 screw to fix it to the box but by doing this the waterproofness of the object will be lost.
3. Below is the electrical diagram to make the connections necessary for the operation of the system.



Attached you will also find the wiring diagram and the possible configurations of the Banshee Excel Lite alarm with integrated light and the button.